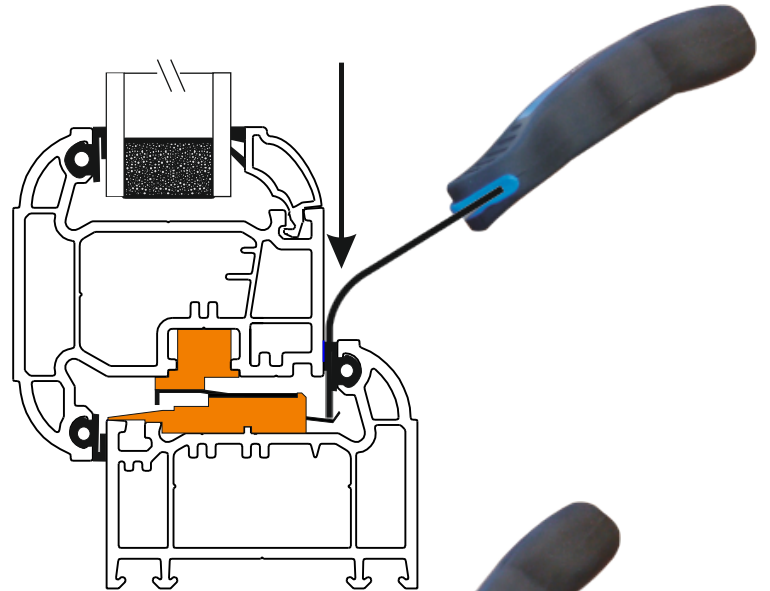
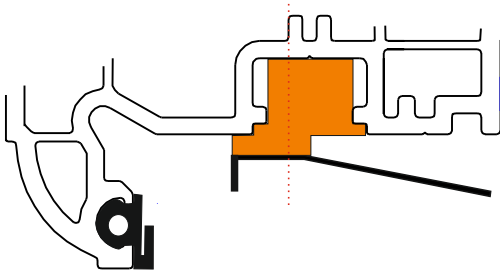
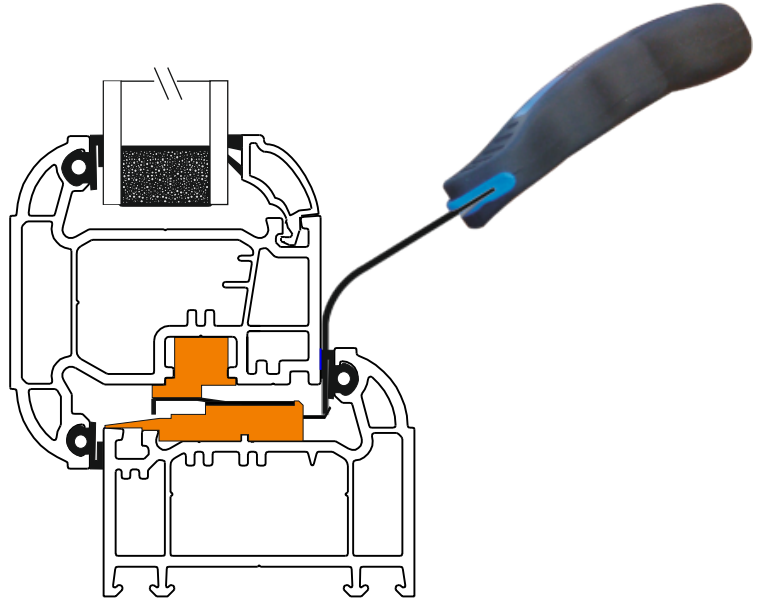
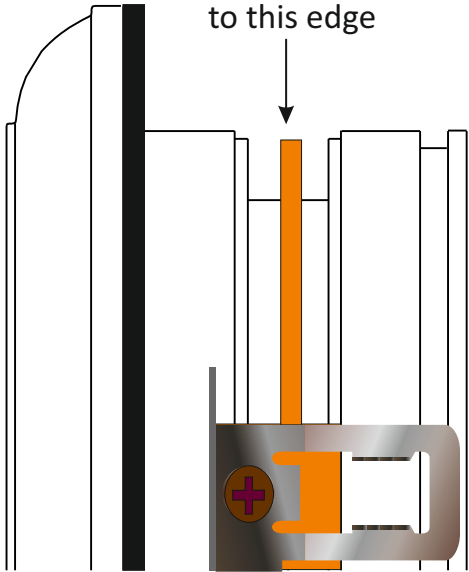


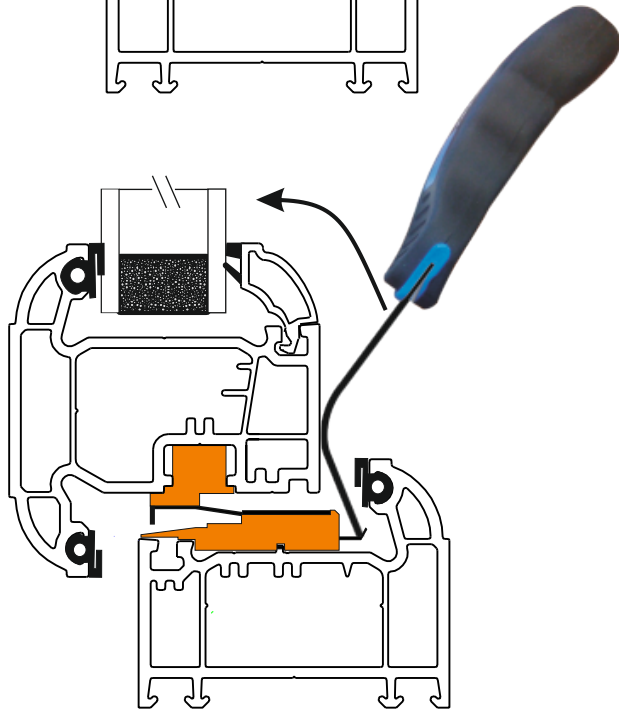
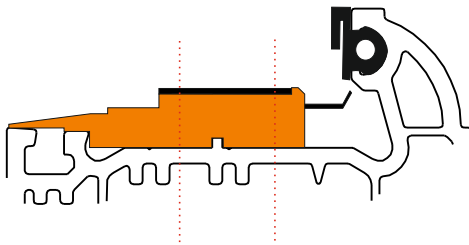
VEKA FS70

(Part No. DSP1BW)

Fit Sash Packer dowel
to this edge



Screw centres



Drawings are not to scale
Reinforcing and fixing screws
have been omitted for clarity



MADE IN THE UK

Patent No. GB2445676B

